



GLOBE EXPORT

TYPE - STORK / STORMAC



**A full range of
suitable replacement
Assemblies &
Spare-parts.**

A FULL RANGE OF SUITABLE REPLACEMENT ASSEMBLIES SPARE-PARTS TYPE-STORK/STORMAC



GLOBE EXPORT

A top performance partner in the Textile Printing Production.

Specialized for over 25 years in the Production of Main assemblies & Spare-Parts, We offer a complete range of replacement parts to the Textile Printing industry.

All parts have been studied to correspond to the technical requirements in high class quality.

Our national & international reputation is based on the performance and reliability of our products.



GLOBE EXPORT

A top quality service from the manufacturing to the delivery stage. The extra special attention we give to the inspection of our production guarantees a perfect result. This insistence on quality enabled us to propose top performance products at Competitive prices and thanks to our permanent stock deliveries can be made at short notice.

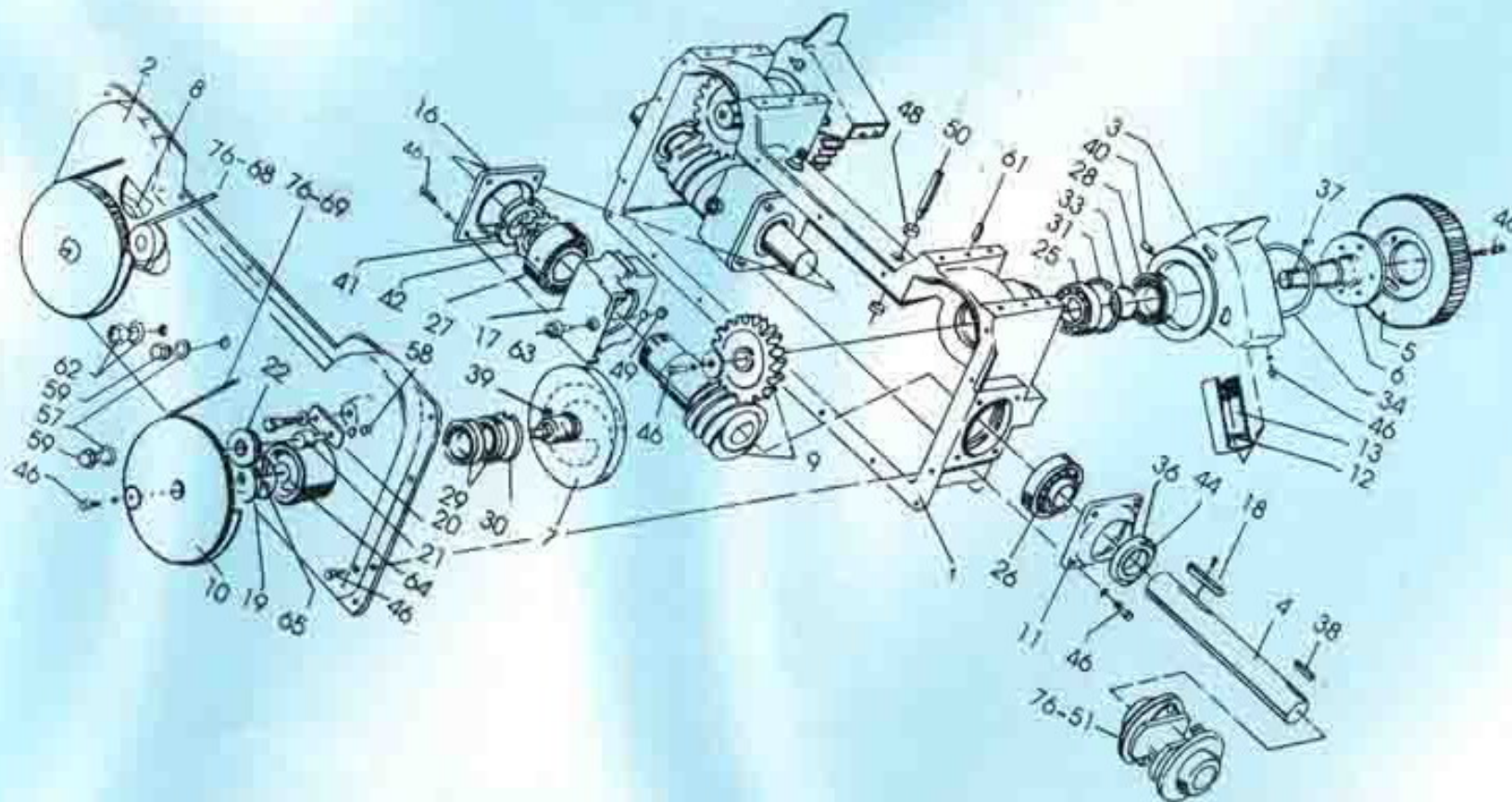
WHY PAY MORE ?

IF YOU WANT AN EXCELLENT QUALITY SPARE-PARTS AT YOUR BUDGET **GLOBE IS** - YOUR BEST CHOICE..

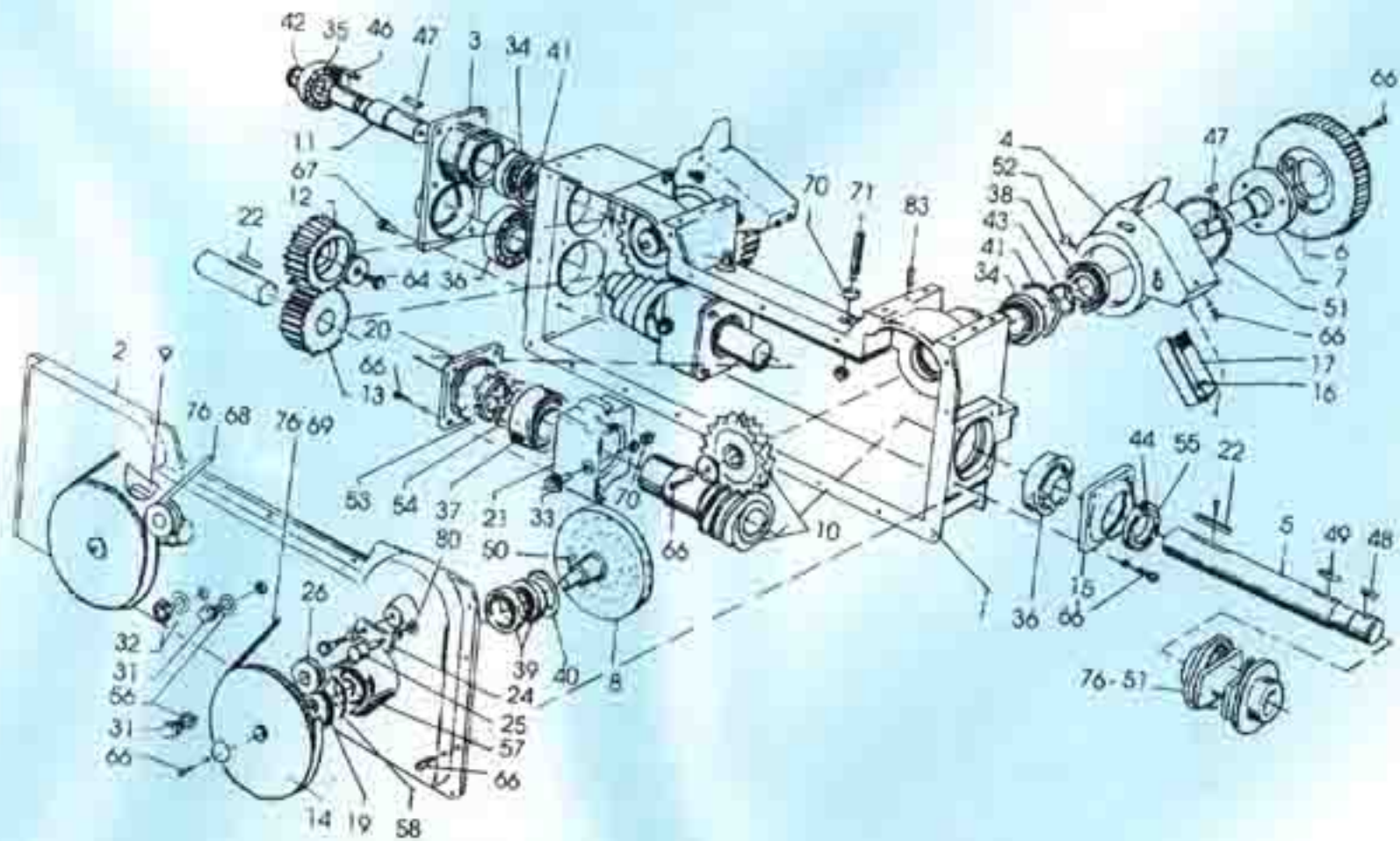
ROTARY PRINTING M/C. TYPE - STORK / STORMAC

Complete Assembly & Spare-Parts suitable for :
Screen Drive Gear Box.

GLOBE EXPORT

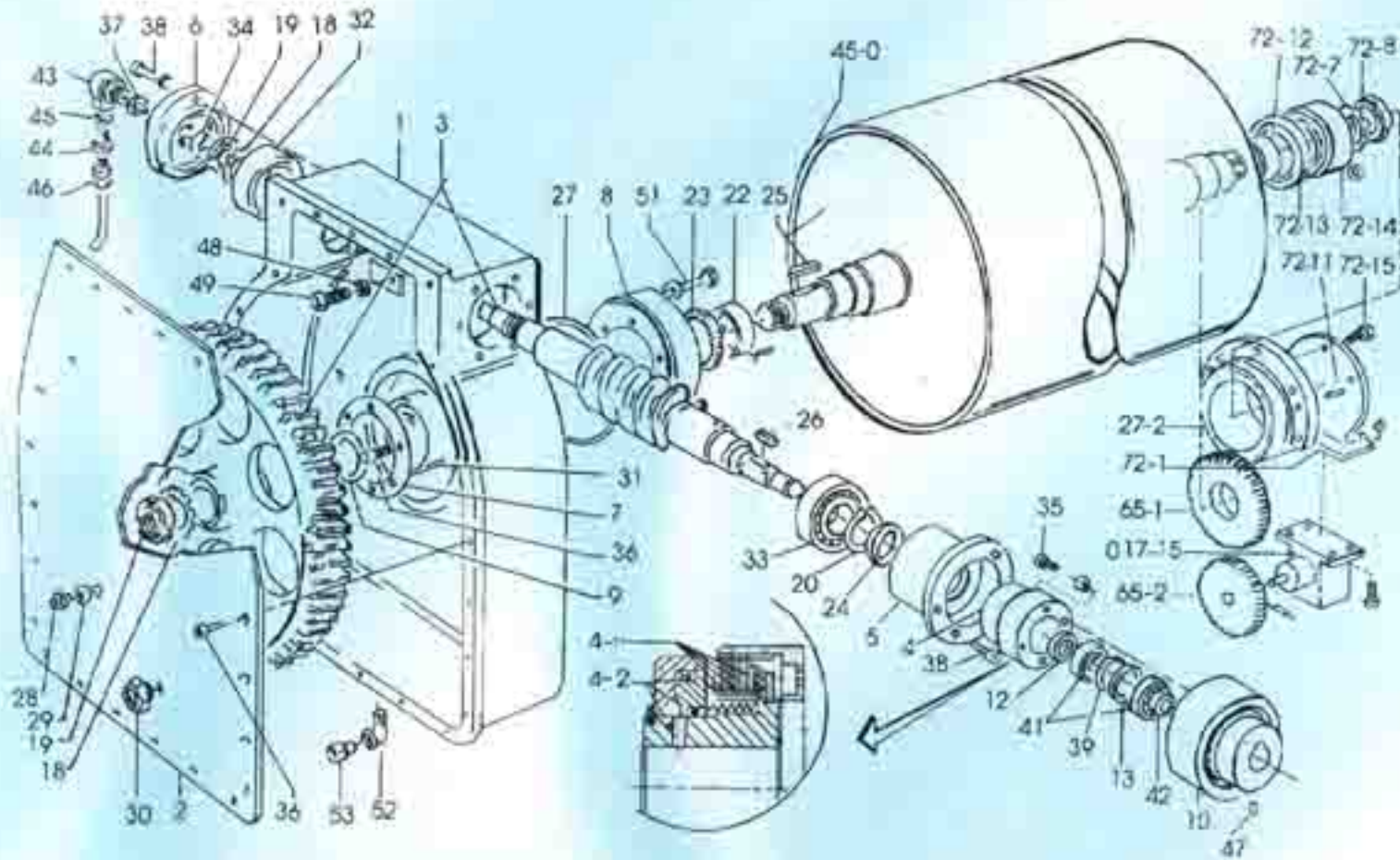


Complete Assembly & Spare-Parts suitable for :
Drive Box Screens, Last Colour



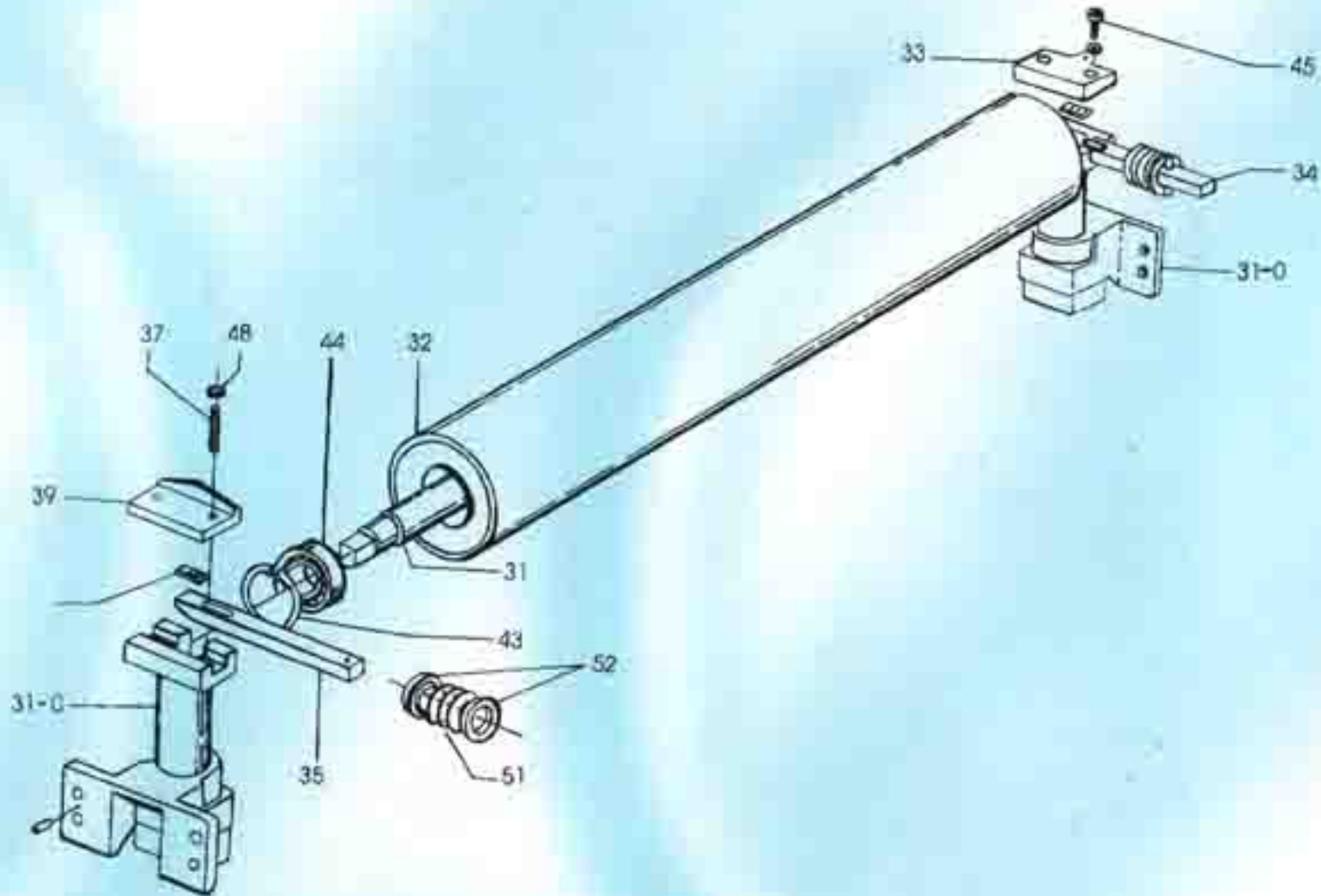
Complete Assembly & Spare-Parts suitable for :
Main Drive Box

GLOBE EXPORT



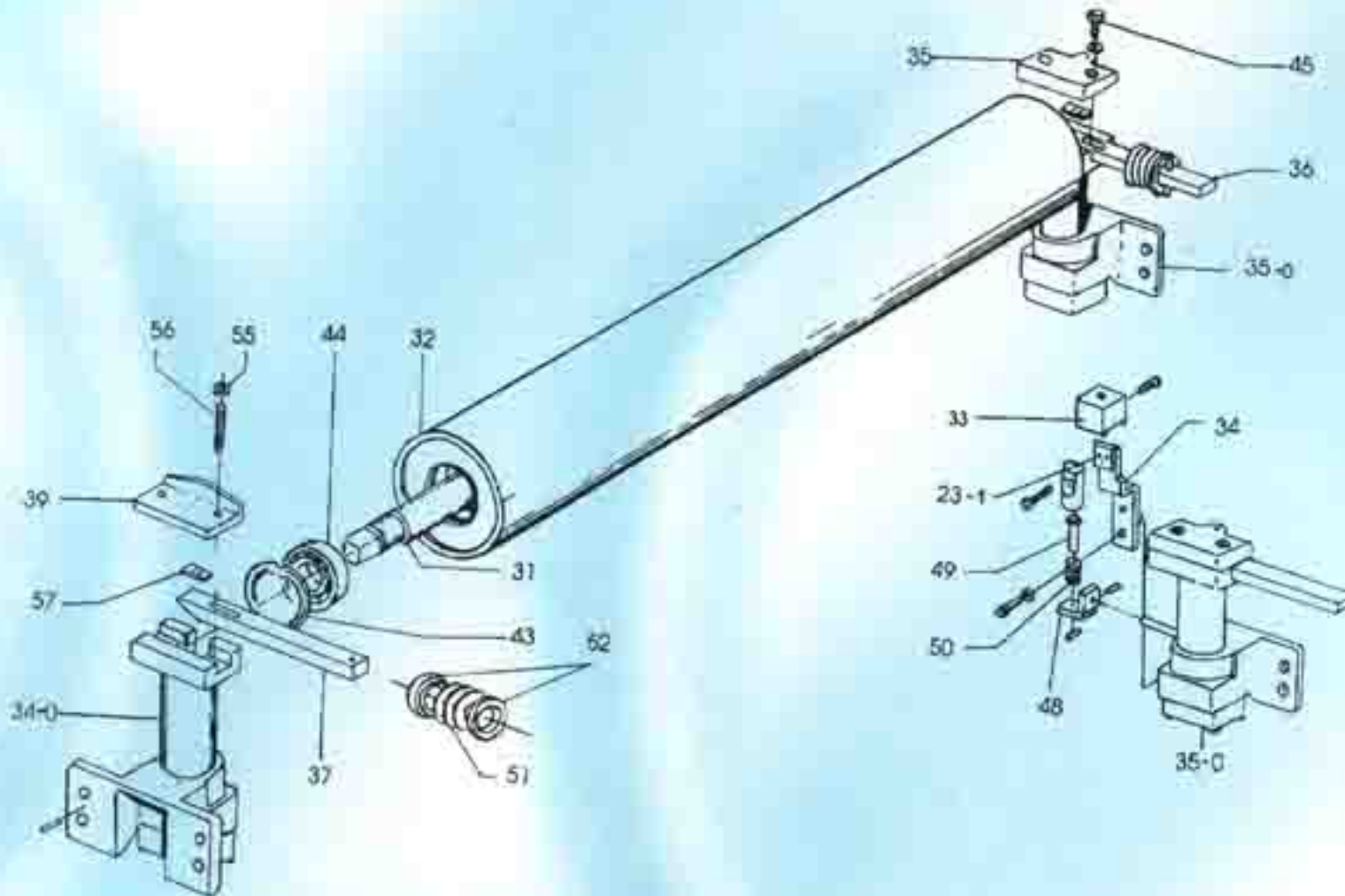
Complete Assembly & Spare-Parts suitable for :
Support Roller.

GLOBE EXPORT



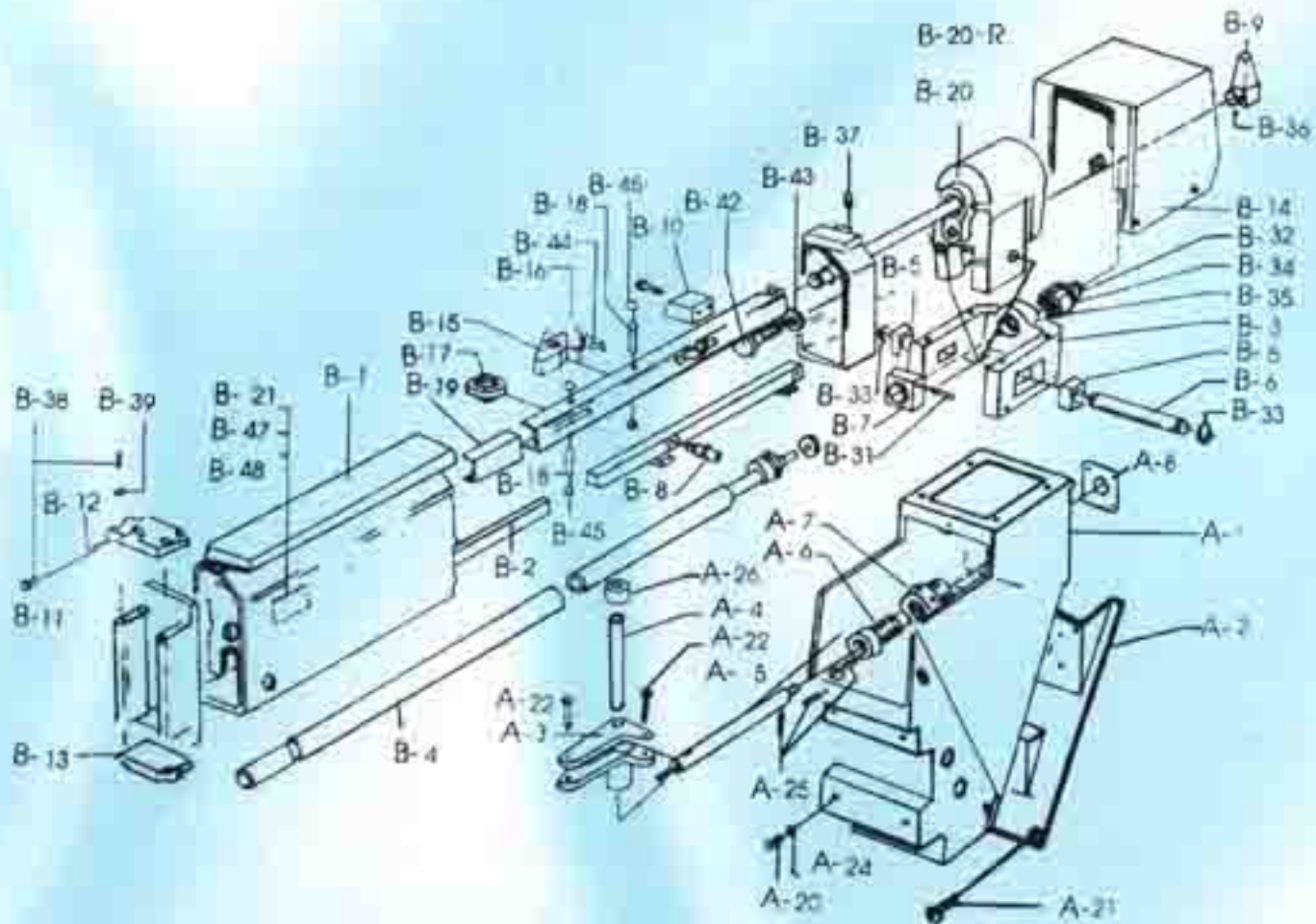
Complete Assembly & Spare-Parts suitable for :
Support Roller Last Colour

GLOBE EXPORT



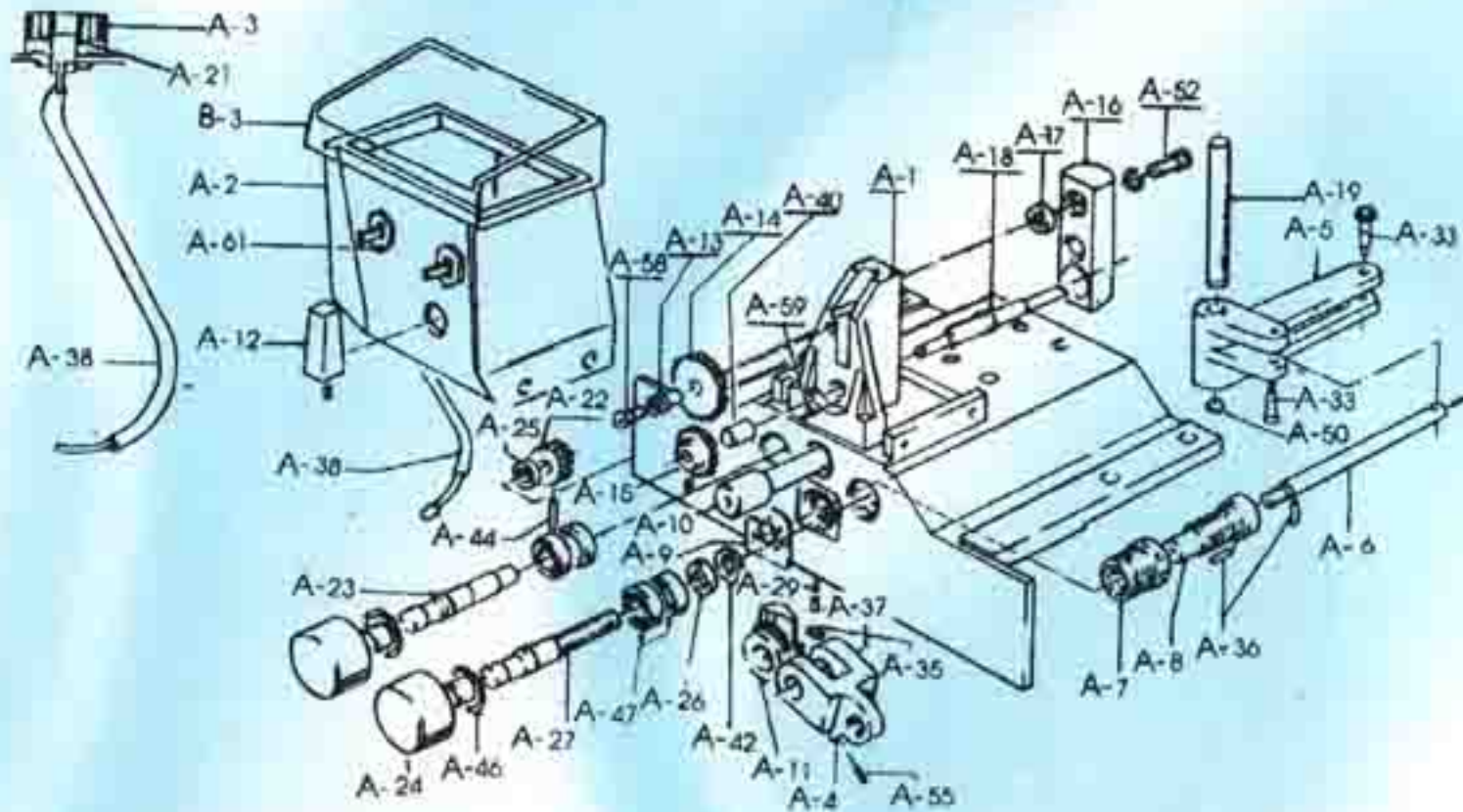
Complete Assembly & Spare-Parts suitable for :
Adjusting Block Pump side. (Screen Beam and Console)

GLOBE EXPORT

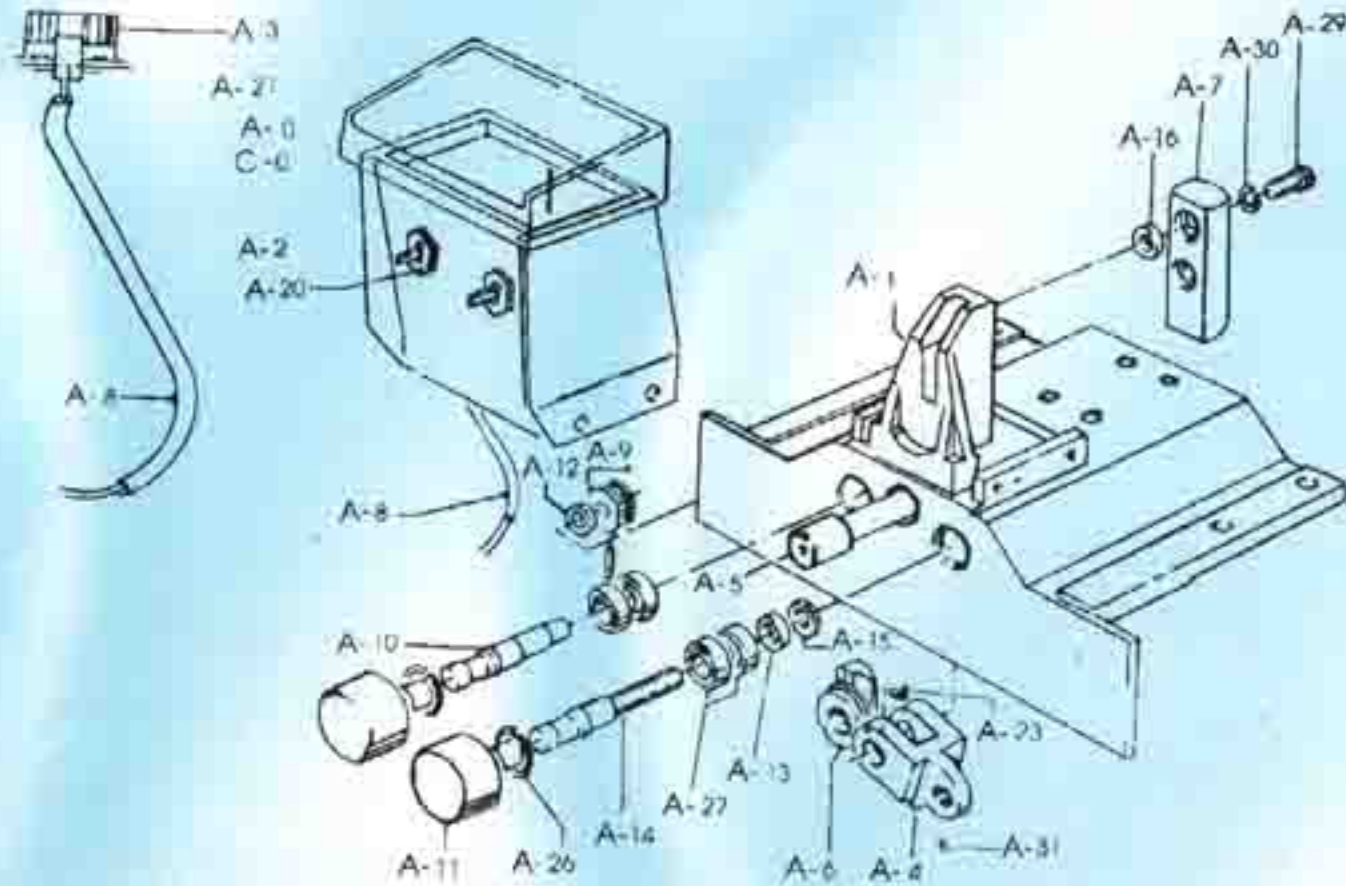


Complete Assembly & Spare-Parts suitable for :
Adjusting Block - Drive side (Bridge Assembly)

GLOBE EXPORT

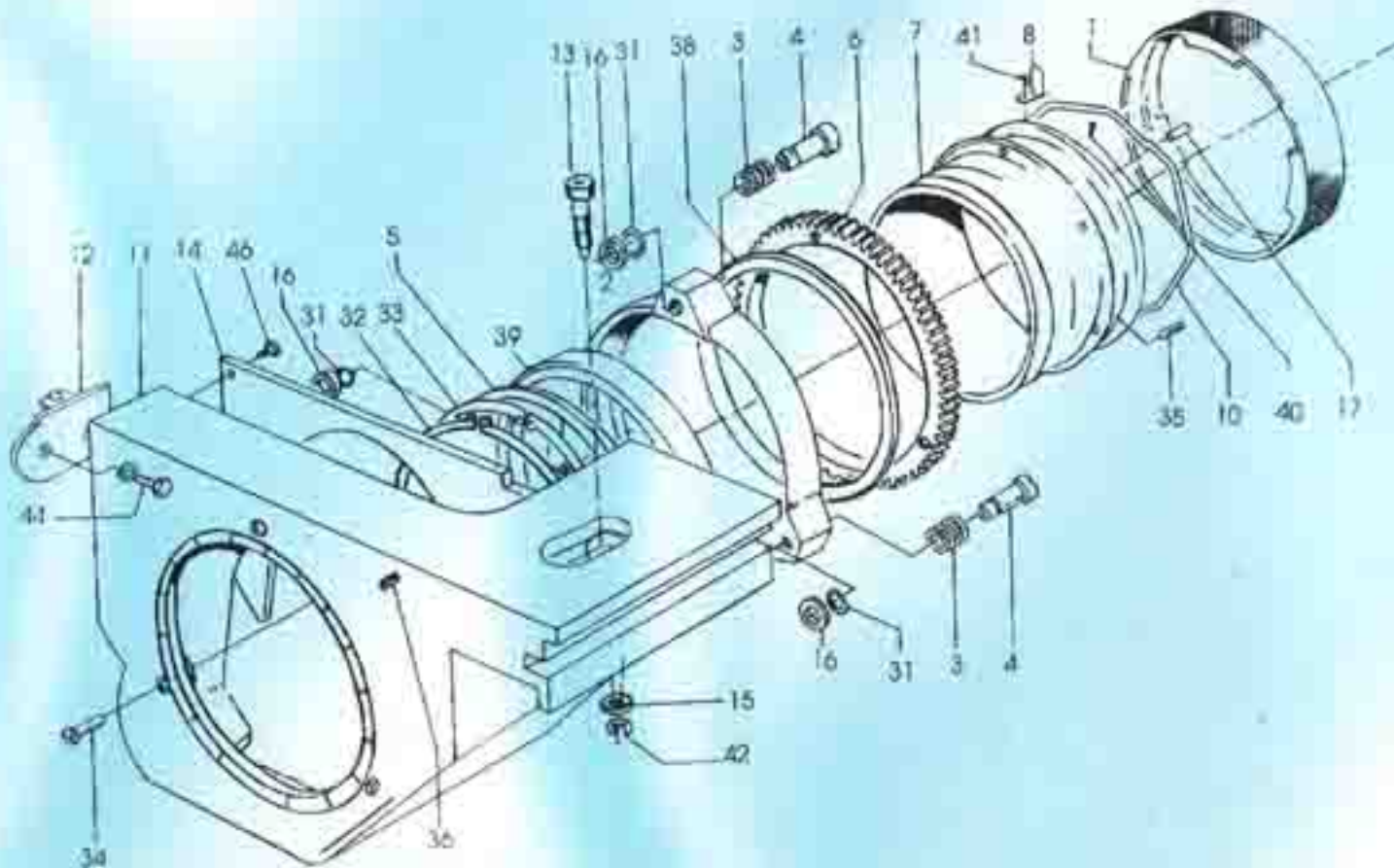


Complete Assembly & Spare-Parts suitable for :
Adjusting Block - Drive side (Bridge Assembly)

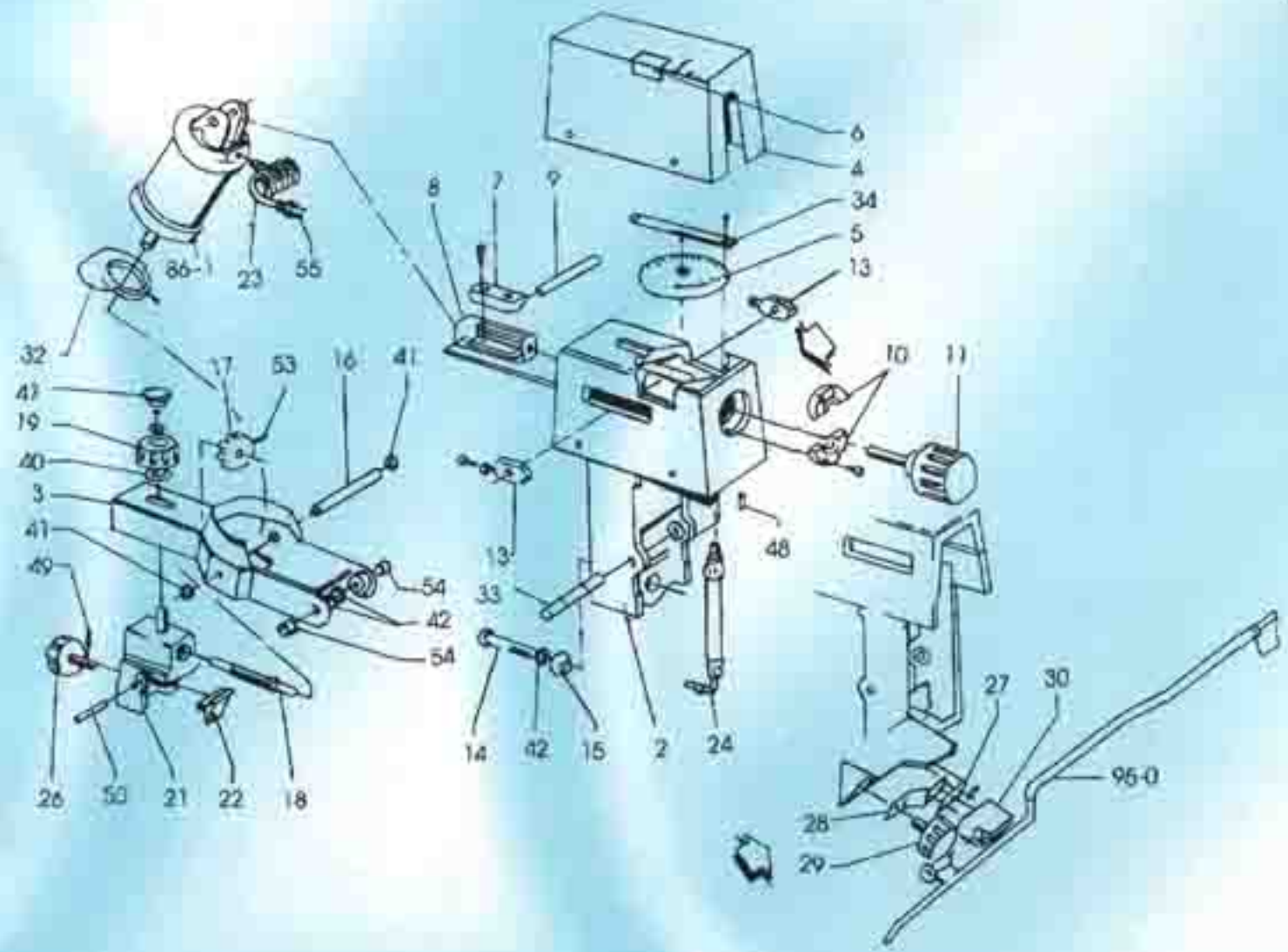


Complete Assembly & Spare-Parts suitable for :
Screen Head Drive side 64 cms.

GLOBE EXPORT



Complete Assembly & Spare-Parts suitable for :
Squeegee Suspension Pump Side.



A full range of suitable replacement Assemblies & Spare-parts.



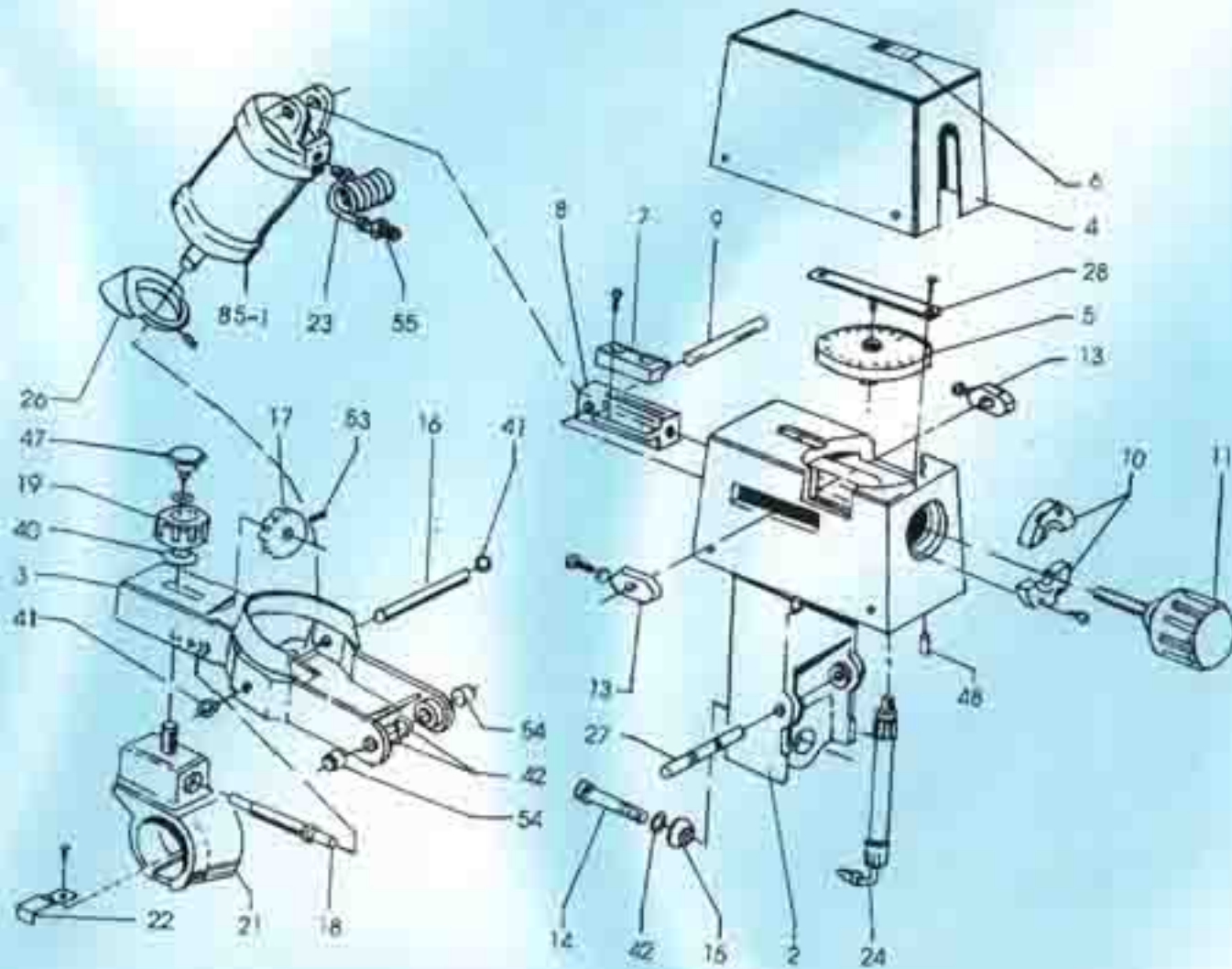
TYPE - STORK / STORMAC

GLOBE EXPORT



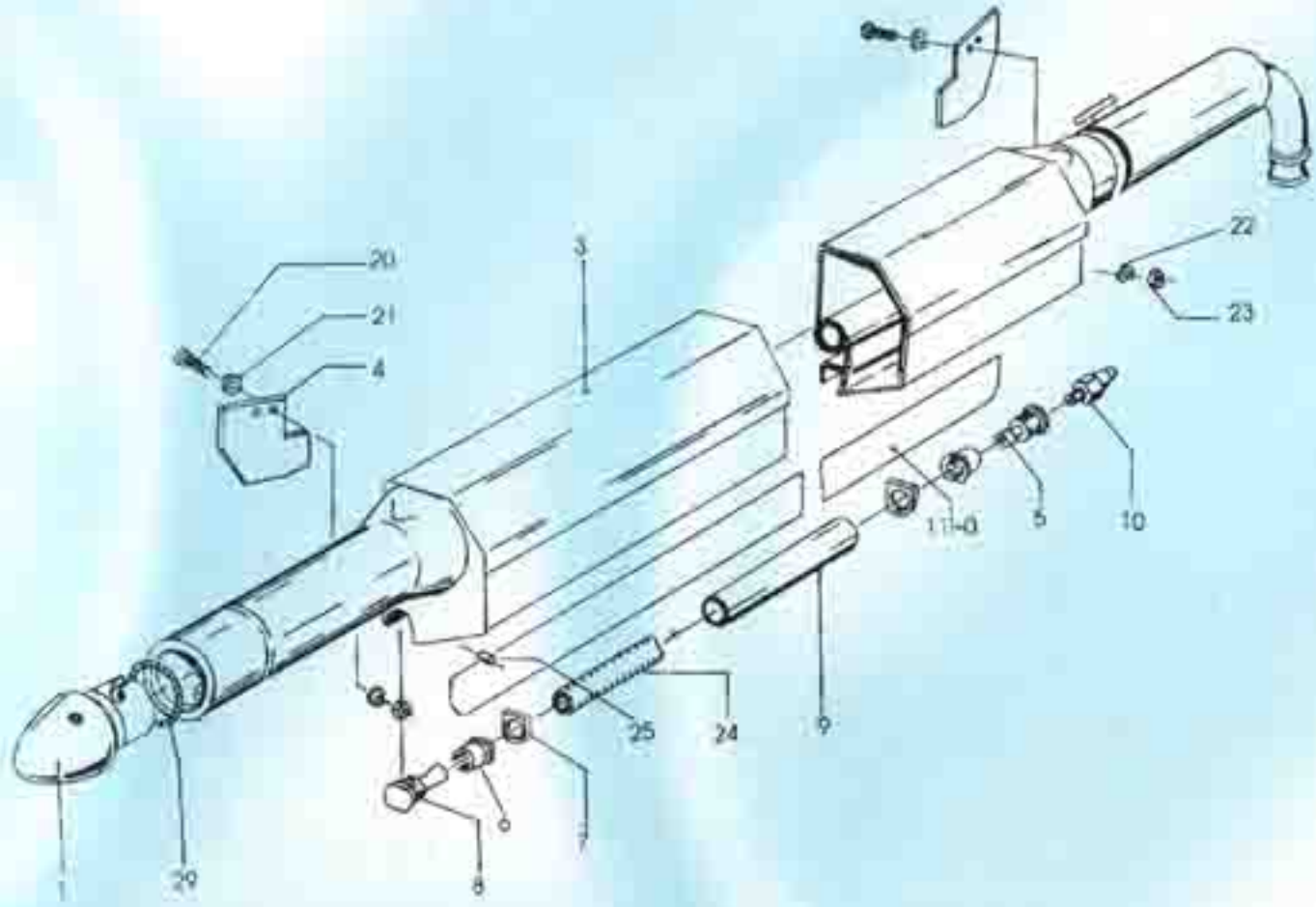
Complete Assembly & Spare-Parts suitable for :
Squeegee Suspension Drive Side.

GLOBE EXPORT 



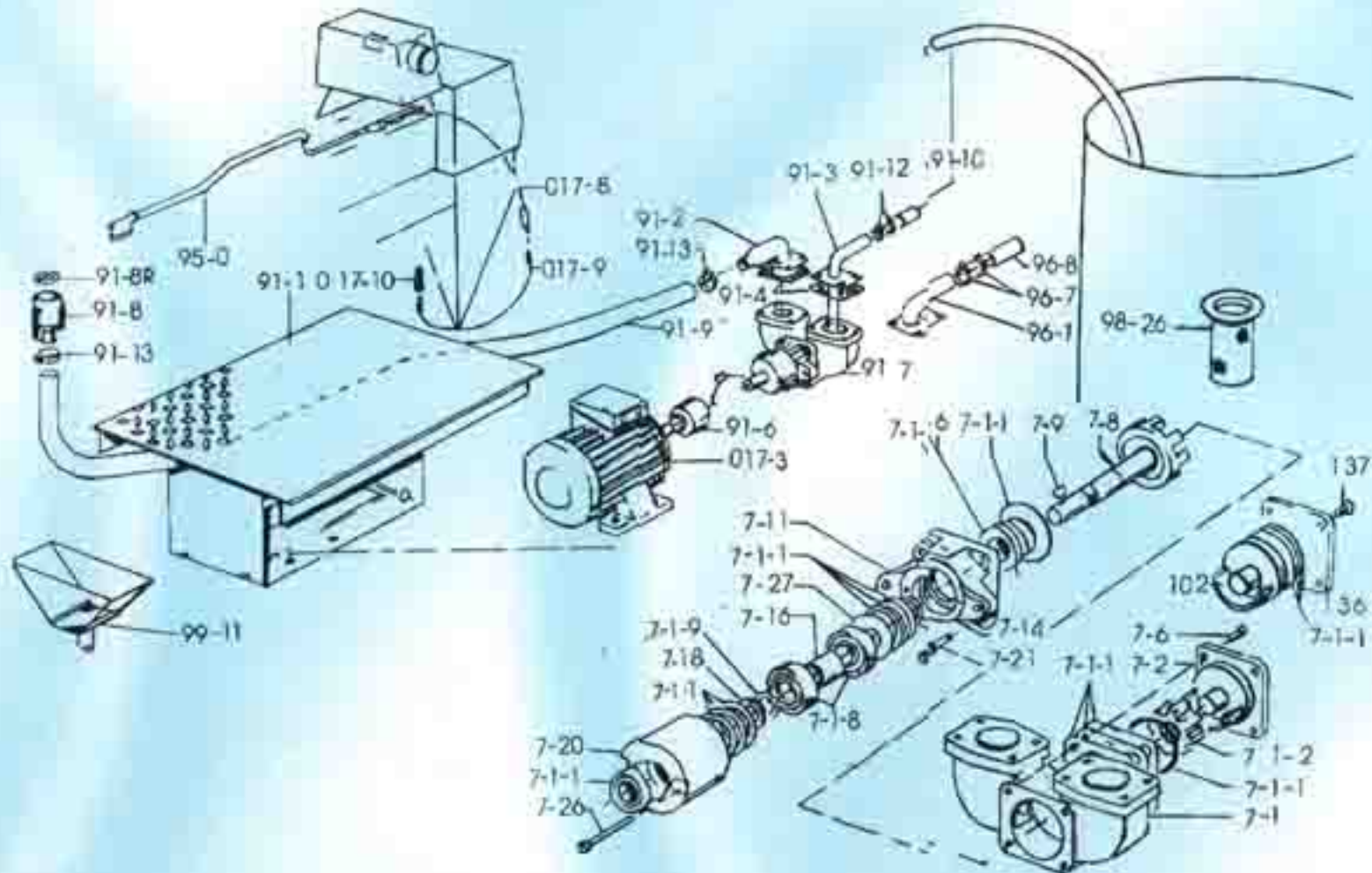
Complete Assembly & Spare-Parts suitable for :
Squeegee

GLOBE EXPORT 



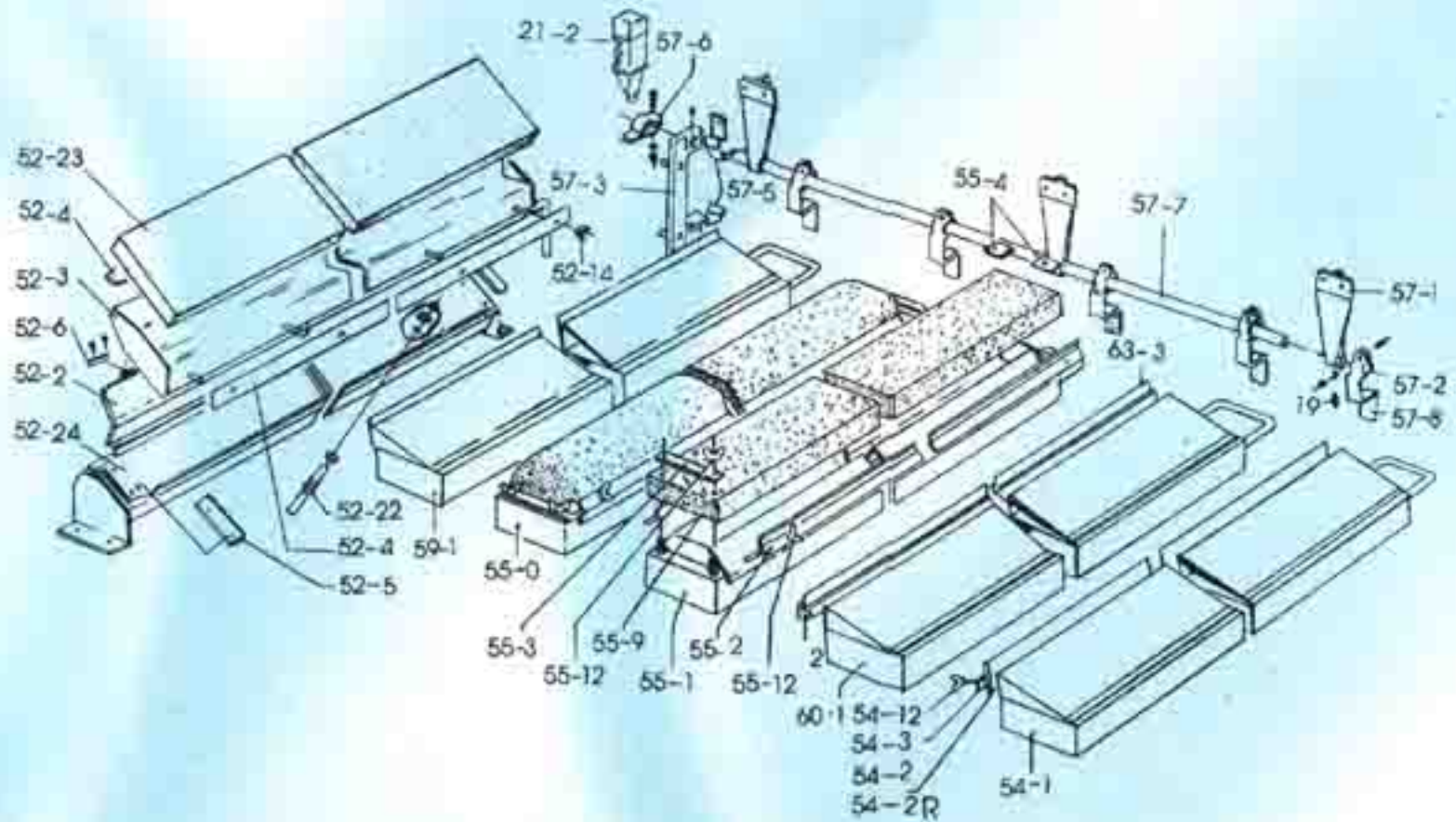
Complete Assembly & Spare-Parts suitable for :
Colour Metering (PUMP)

GLOBE EXPORT

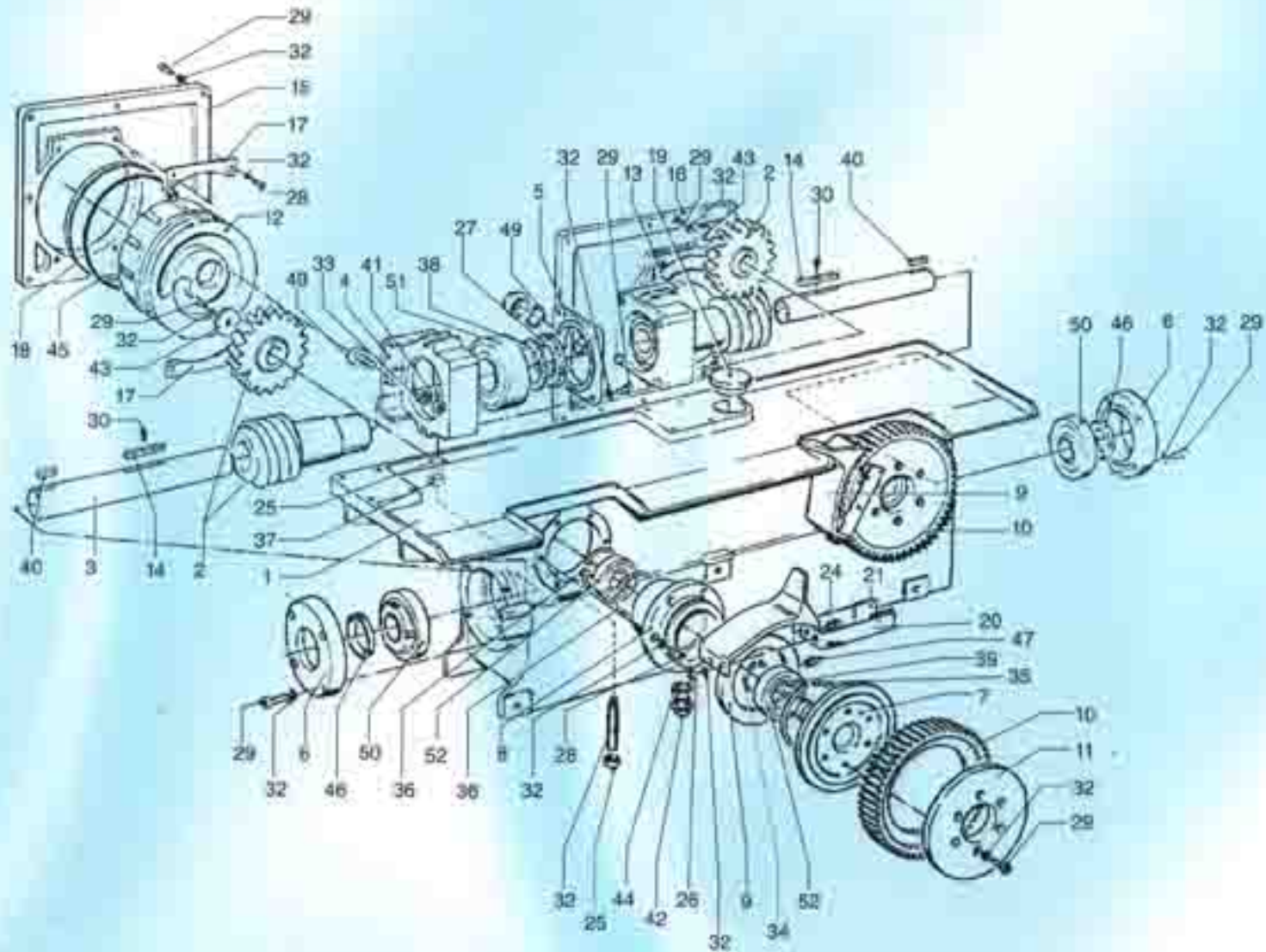


Complete Assembly & Spare-Parts suitable for :
Blanket Washer.

GLOBE EXPORT 

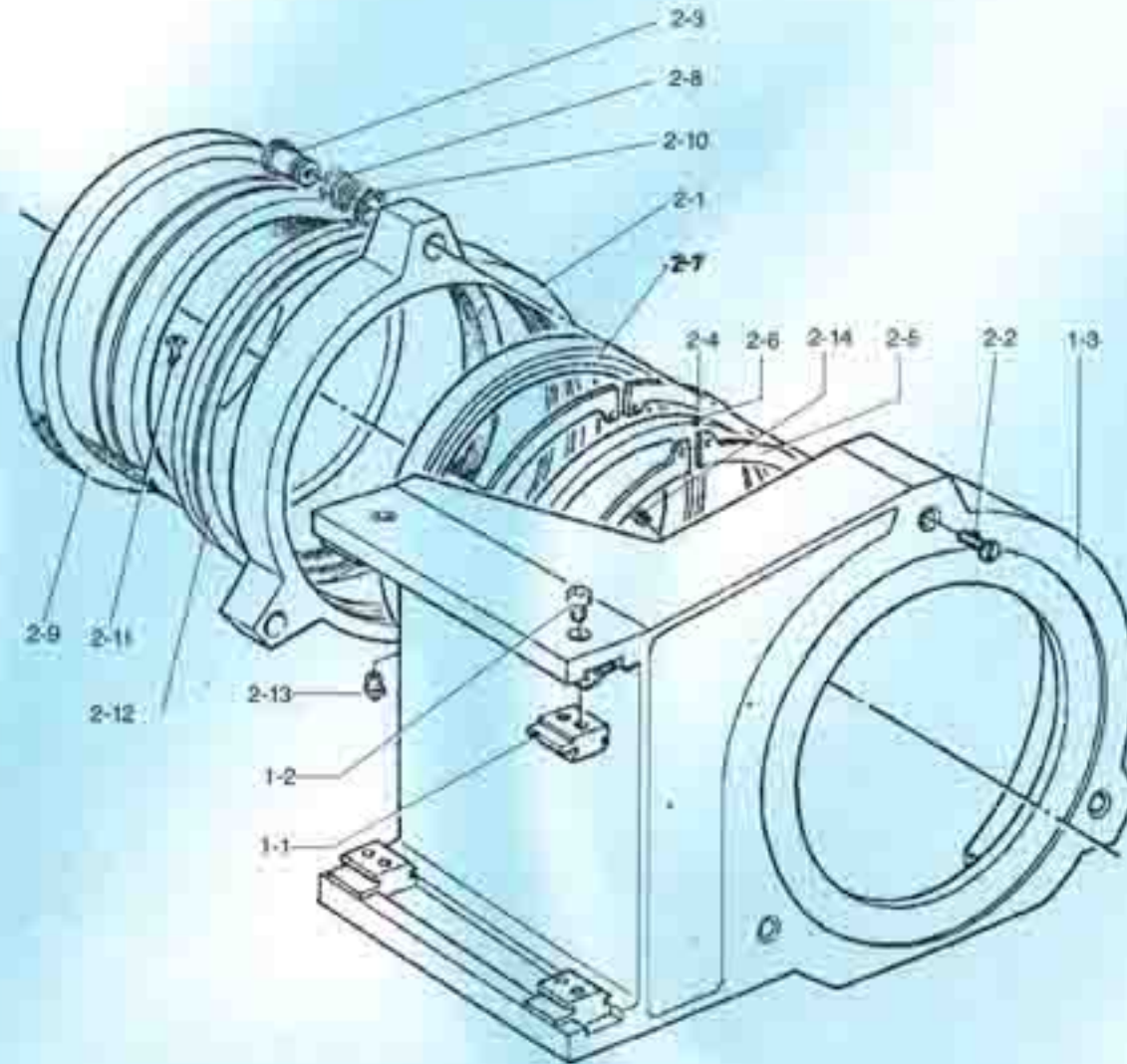


Complete Assembly & Spare-Parts suitable for :
Screen Drive Gear Box.



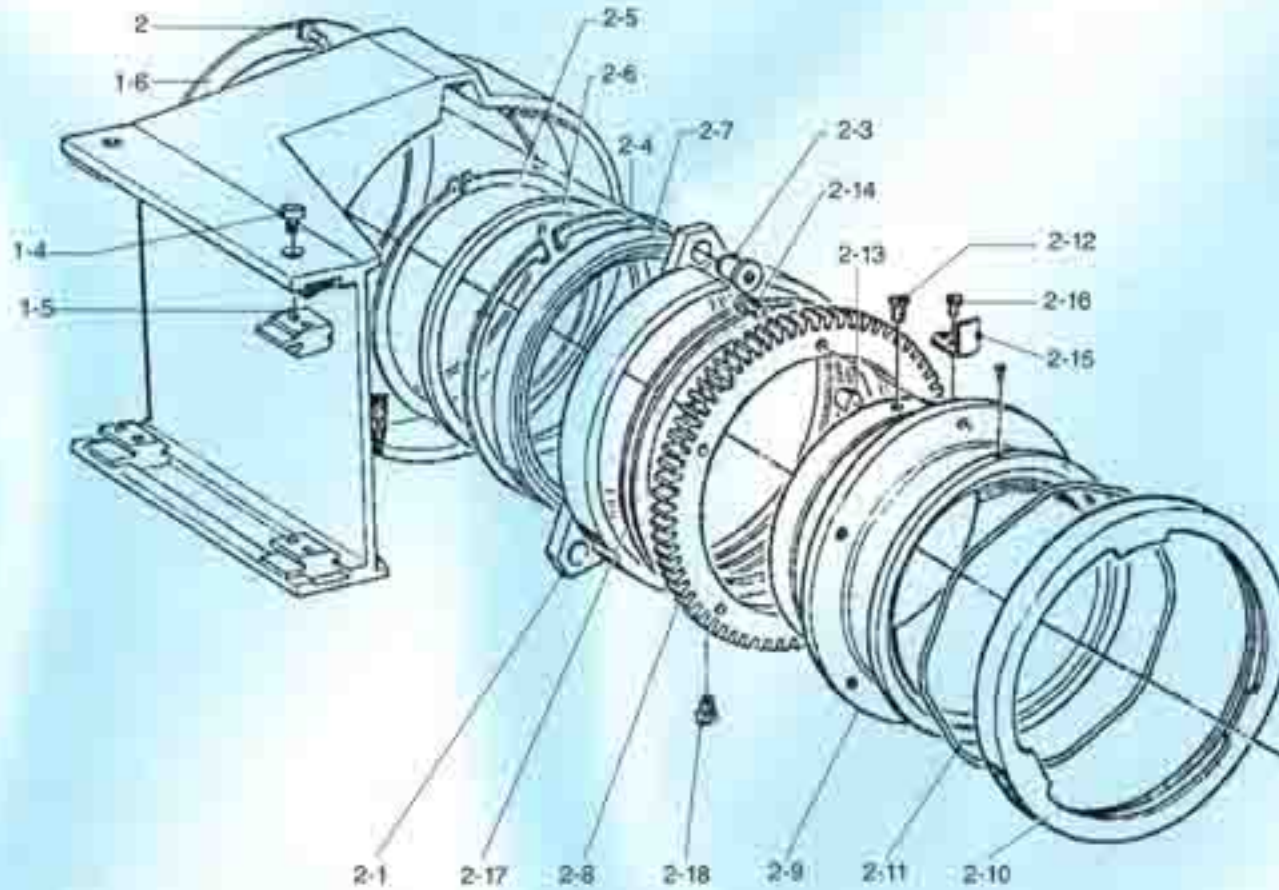
Complete Assembly & Spare-Parts suitable for :
Screen Head Pump side.

GLOBE EXPORT



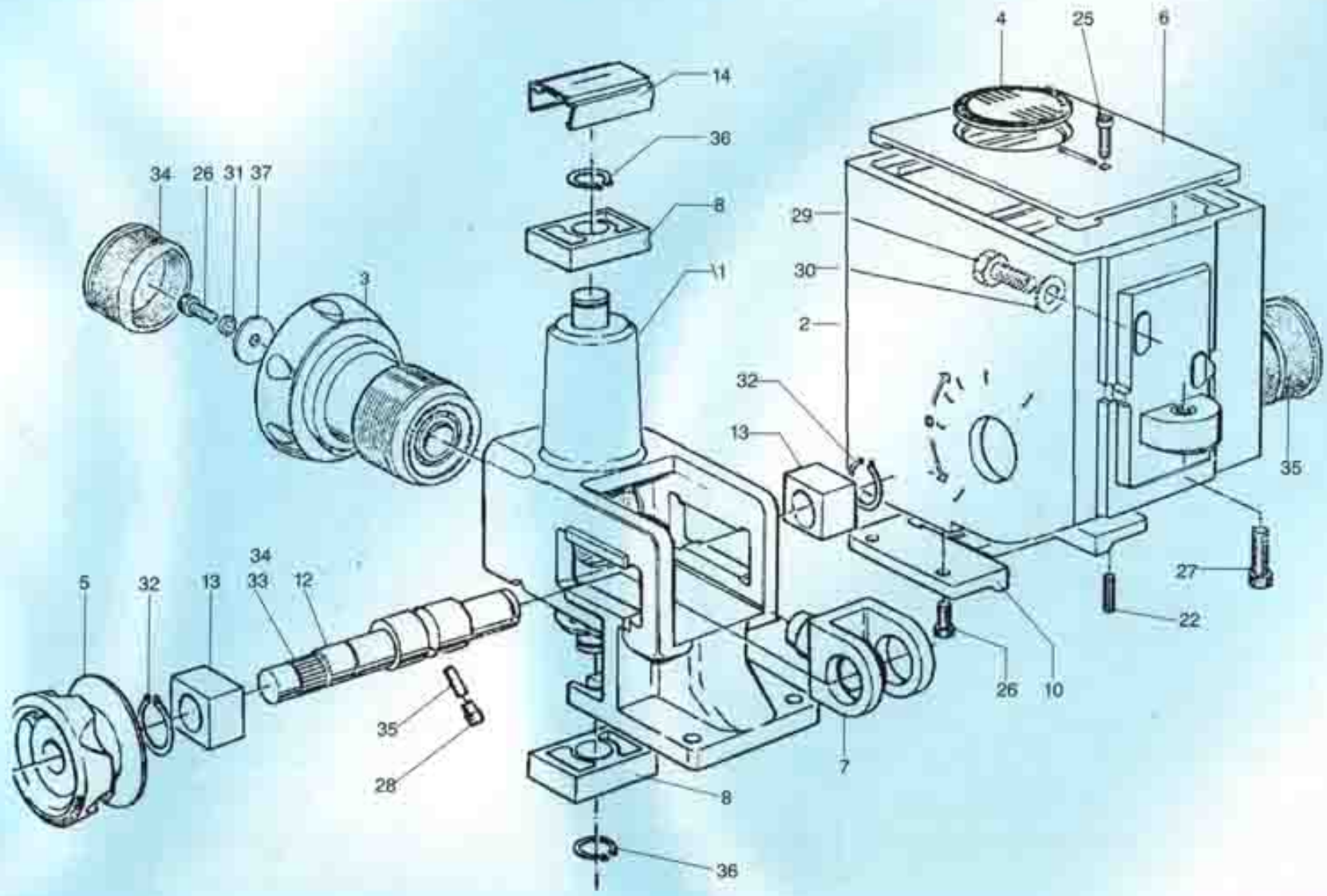
Complete Assembly & Spare-Parts suitable for :
Screen Head Drive side 64 cms.

GLOBE EXPORT



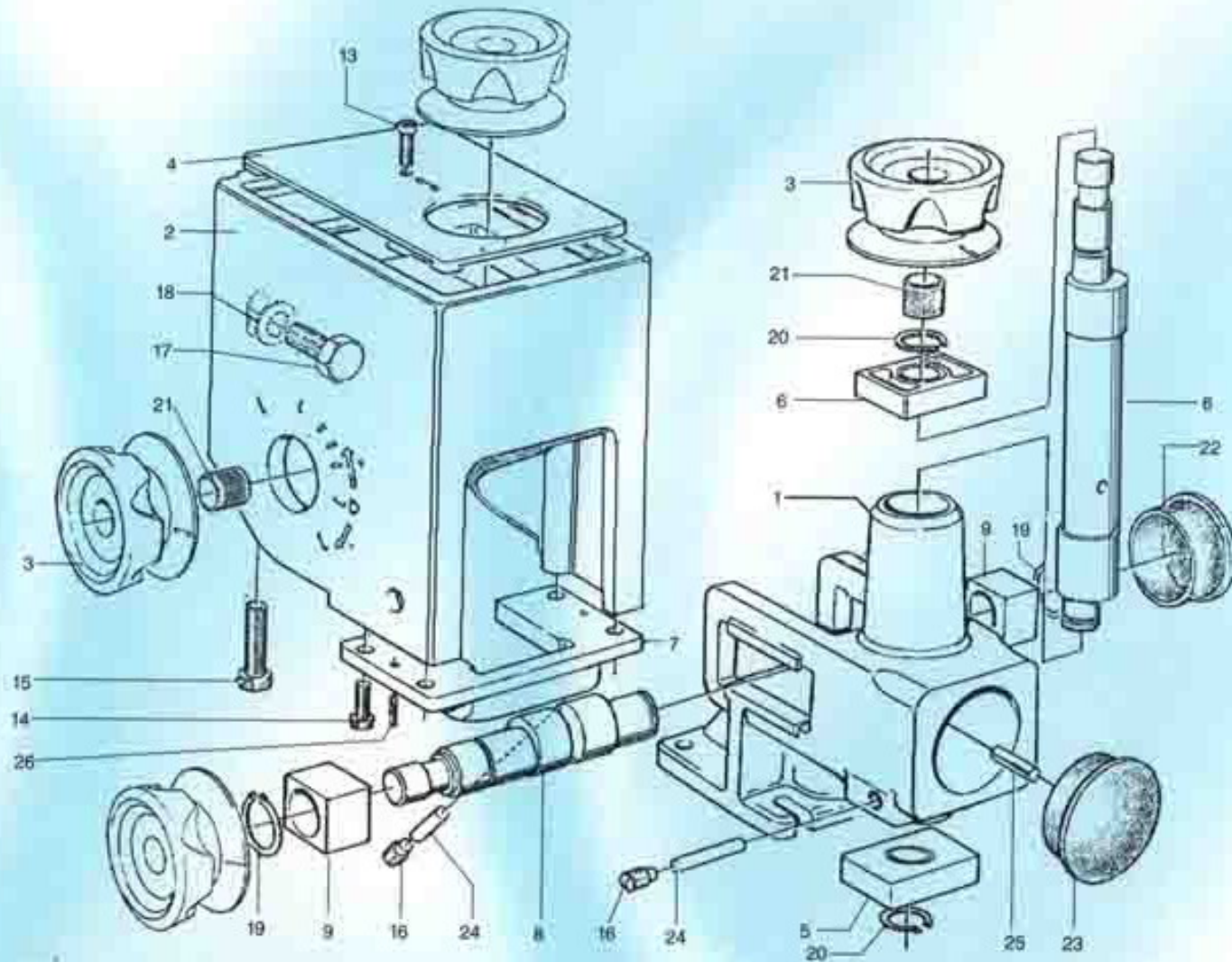
Complete Assembly & Spare-Parts suitable for :
Adjusting Block - Drive side (Bridge Assembly)

GLOBE EXPORT



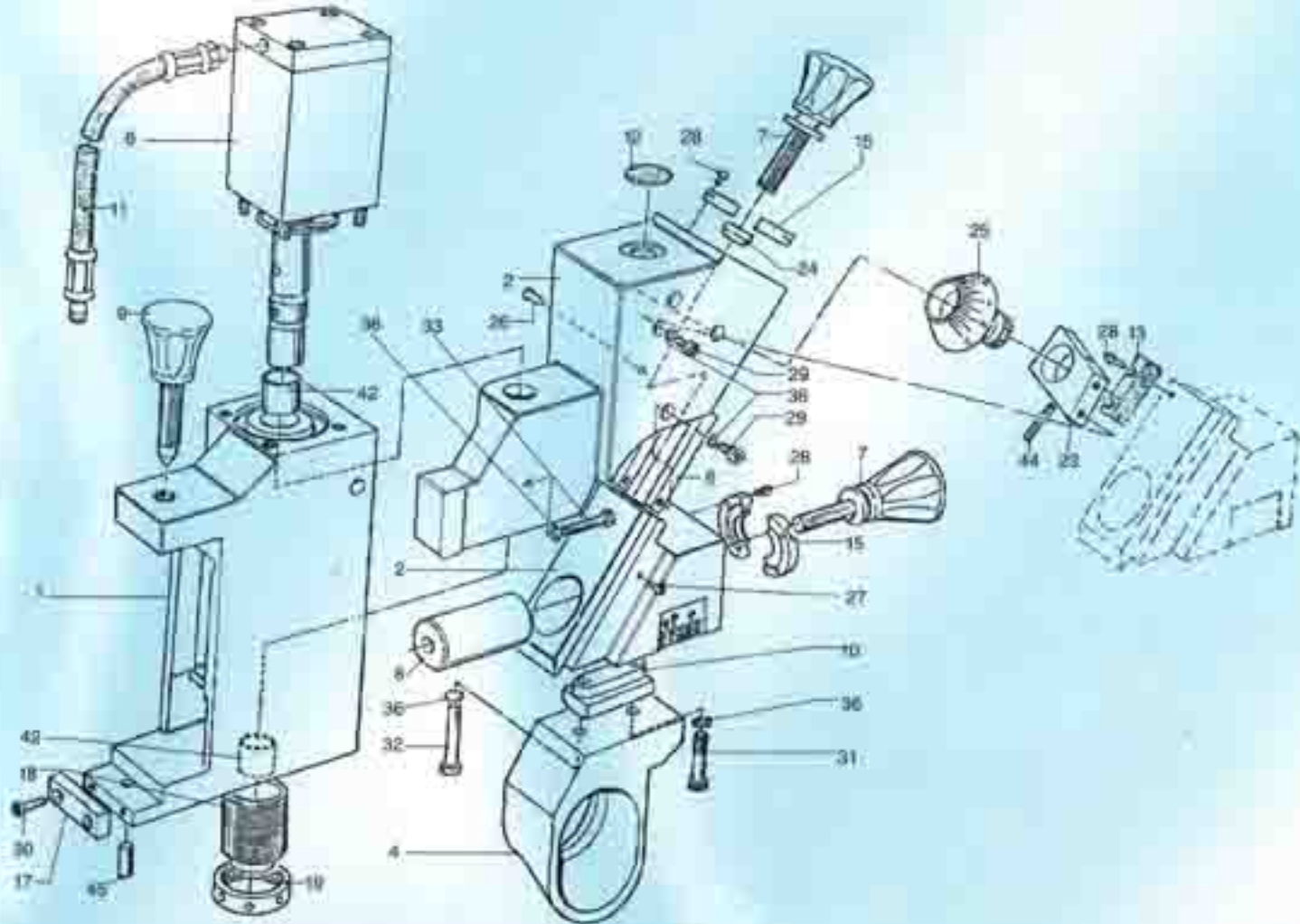
Complete Assembly & Spare-Parts suitable for :
Adjusting Block Pump side. (Screen Beam and Console)

GLOBE EXPORT



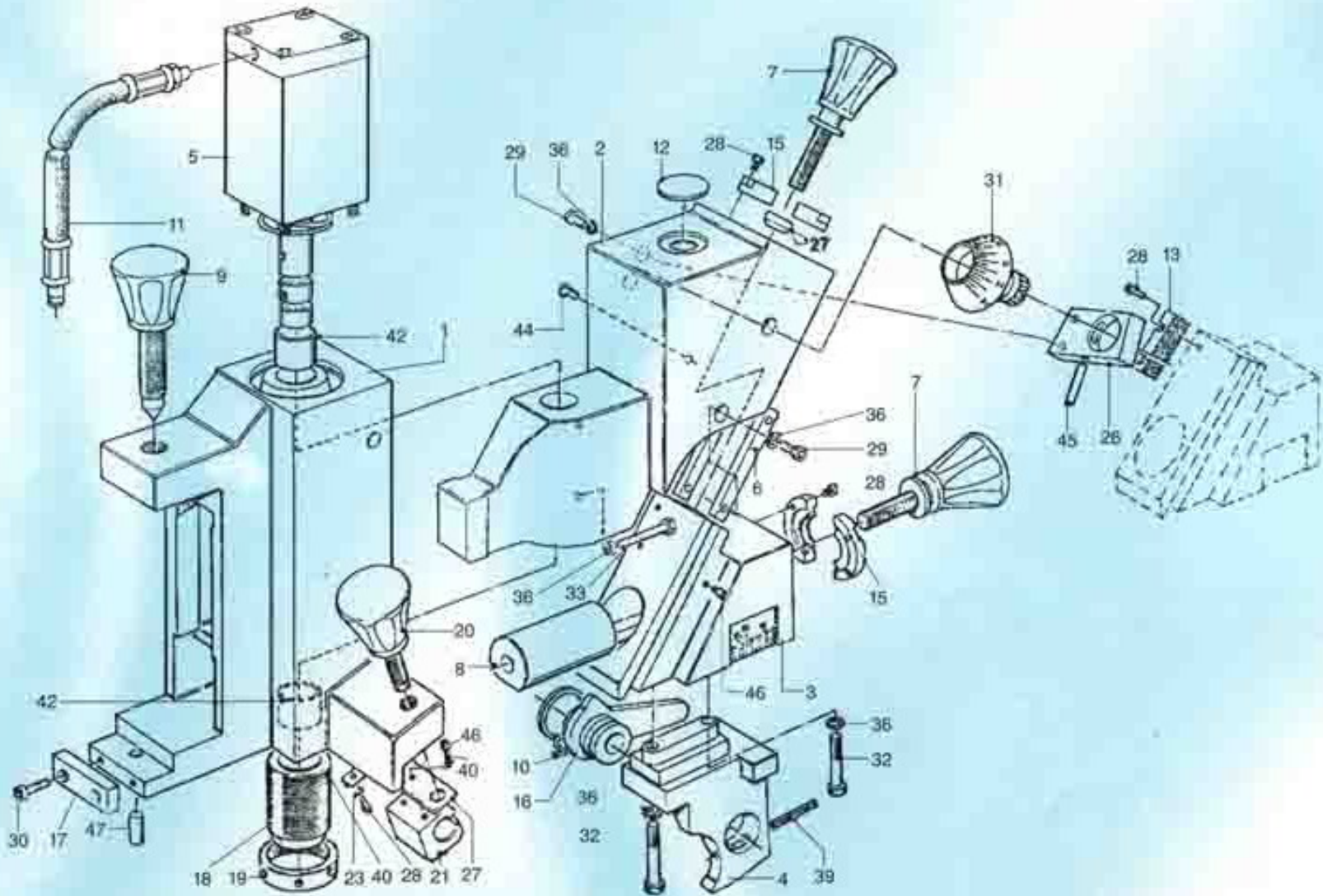
Complete Assembly & Spare-Parts suitable for :
Squeegee Suspension Drive Side.

GLOBE EXPORT



Complete Assembly & Spare-Parts suitable for :
Squeegee Suspension Pump Side.

GLOBE EXPORT



Complete Assembly & Spare - Kits : Pneumatic Cylinders

Ref. No.	
4R 327013.....	Cylinder
4R 324212.....	4R 327013 spare parts for cylinder
4R 327021.....	Cylinder
4R 324210.....	4R 327021 spare parts for cylinder
4R 327022.....	Cylinder
4R 324210.....	4R 327022 spare parts for cylinder
3R 326262.....	Cylinder
4R 407999.....	3R 326262 spare parts for cylinder
4R 326810.....	Cylinder
4R 407999.....	4R 326810 spare parts for cylinder
4R 228810.....	Cylinder
4R 407999.....	4R 327797 spare parts for cylinder
4R 327798.....	Cylinder
09.2000.061.....	4R 327798 spare parts for cylinder
4R 326962.....	Cylinder
4R 328578.....	4R 326962 spare parts for cylinder
4R 326871.....	Cylinder
4R 328577.....	4R 326871 spare parts for cylinder
4R 326871.....	Cylinder
4R 328577.....	4R 326871 spare parts for cylinder



OTHER ACCESSORIES AND RING

High quality Die moulded aluminium Screen end Ring available in various Repeats

SQUEEGEE BLADES

High Class Quality Stainless Steel Squeegee Blades

available in various size including size :

- 40 mm x 0.10 mm
- 40 mm x 0.15 mm
- 40 mm x 0.20 mm
- 45 mm x 0.15 mm
- 45 mm x 0.20 mm
- 50 mm x 0.15 mm
- 55 mm x 0.20 mm

S. S. Squeegee Blade



WE ARE UNDERTAKING THE OVERHAULING AND
SERVICING OF STORK ROTARY SCREEN PRINTING

MACHINE RD III & IV

WE CAN ALSO SUPPLY THE ELECTRICAL AND MECHANICAL
ACCESSORIES FOR ENGINEERING DEPARTMENT LIKE

D. C. DRIVE, A. C. DRIVE ALL TYPE OF VALVES,
FLUID TRANSFER PUMP, ELECTRICAL CONTRACTOR,
OVERLOAD AND MICRO PROCESSOR



GLOBE EXPORT

26, Ashirwad Industrial Estate,
Rangshala Compound, Potalia Talav,
Saraspur, Ahmedabad-380 024, (India)

Telefax : (O) +91-79-22746986, 22740066
(R) +91-79-22866754

Mobile : +91-98240 69754

E-mail : exports@globeexportindia.com

E-mail : globeexportindia@gmail.com

Website : www.globeexportindia.com

Represented by :

